

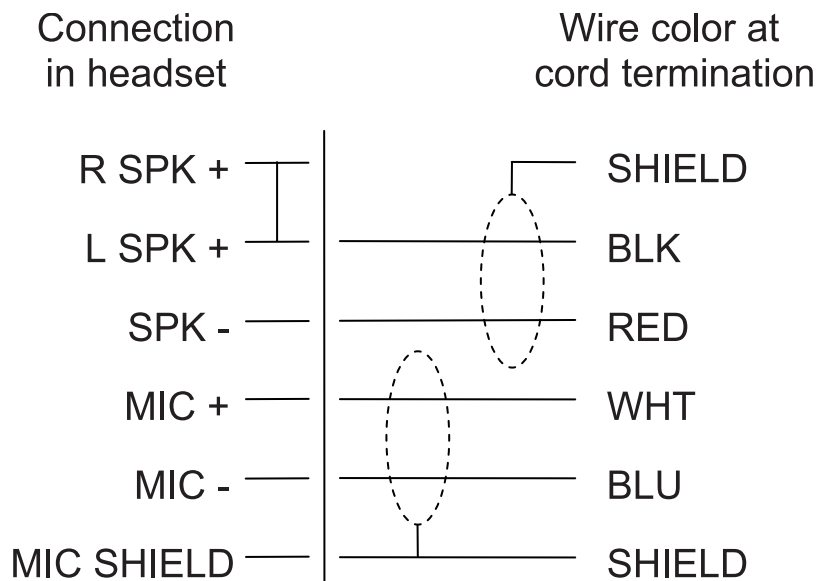


## HD-3A

### Dual-Sided Headset with 21dB NRR, Flexible Dynamic Boom Mic, & A4F Connector

The HD-3A is a dual-sided monaural hearing protector type headset with noise-canceling dynamic microphone. EPA rated NRR of 21 dB. The polyurethane earcups house 150Ω dynamic elements and feature an easily adjustable headband. The 6' cord is coiled for tangle-free use.

### Wiring Diagram



# HD-3A Specifications

**Connector Termination**

XLR 4-pin Female coiled cord

**Type**

Dual Sided Monaural

**Mic Type**

Dynamic Noise-Canceling

**Mic Sensitivity**

-65dBV/Pa @1cm

**Mic Frequency Range**

200Hz - 6kHz

**Mic Impedance**

150Ω

**Speaker Sensitivity**

95dB SPL @3kHz, 1mW

**Speaker Frequency Range**

1kHz - 10kHz

**Speaker Impedance**

150Ω

**Weight**

17oz. (not including cord)

**Cord Length**

1.75 ft. retracted, 9 ft. extended

---

**Contact Information**

Telex Communications, Inc.  
12000 Portland Avenue South  
Burnsville, Minnesota 55337  
Telephone: 877-863-4169  
Fax: (800) 323-0498

---

**Ordering Information****HD-3A**

Dual-Sided Headset with 21dB NRR, Flexible Dynamic Boom Mic, & A4F Connector  
Catalog Number: 63700-011

Form Number: 38109-211 Rev C  
Date: December, 2007

This specifications information is preliminary and is subject to change without notification.  
Brand names mentioned are the property of their respective companies.